



B Series

1986 — **B** — **1** — **X** — **R** — **X**

Mounting Configuration and Shaft Size	
B	2.25" square flange mount 3/8" input shaft

Resolver Electrical Output Characteristics	
1	Standard output compatible with all Gemco electronic modules and Autotech. Resolver No. 04535001
2	Special output compatible with AMCI resolver input devices. Resolver No. 04535076
3	Special output compatible with GE axis positioning modules. Resolver No. 04535044
4	Special output compatible with Modicon motion cards. Resolver No. 04535051
5	Special output compatible with Reliance resolver input card. Resolver No. 04535023
6	Special output compatible with Namco resolver input card. Resolver No. 04535053
DN	DeviceNet output, DeviceNet only offer with rear connector. Resolver No. 04535001

Single/Multi-Turn	
X	Single turn resolver. No gear reducer.
GR_	Single turn resolver with internal gear reducer. Select ratio from list below, insert after GR.
GM_	Single turn resolver with internal gear multiplier. Select ratio from list below, insert after GM.
D1	64 turn dual resolver.
D2	128 turn dual resolver.

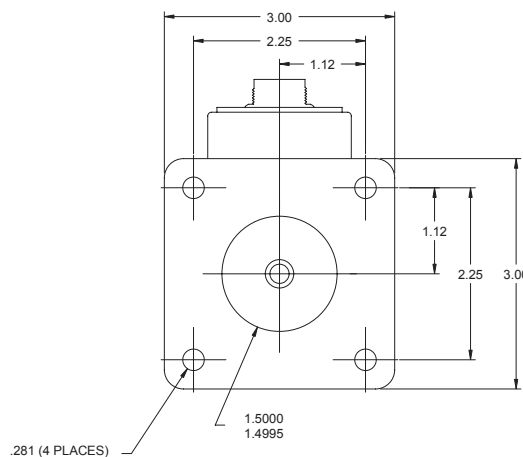
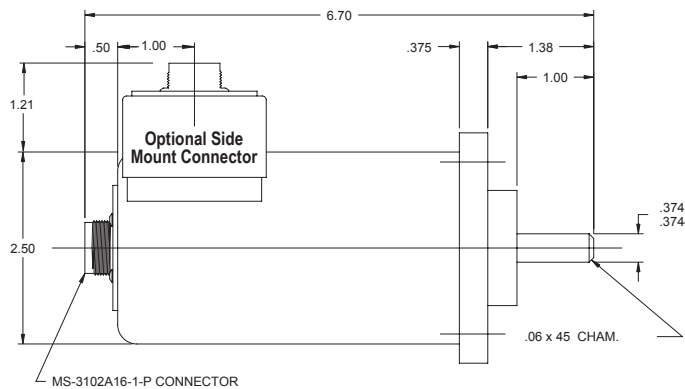
* Lengths may vary with gear reducer

Connection	
R	Standard rear mount connector.
S	Side mount connector.
A_	Rear exit potted pigtail with bare leads. Insert cable length in feet after A.
B_	Side exit potted pigtail with bare leads. Insert cable length in feet after B.
C_	Rear exit potted pigtail with standard connector on end of cable. Insert cable length in feet after C.
D_	Side exit potted pigtail with standard connector on end of cable. Insert cable length in feet after D.

Options	
X	None
P	Additional protective shaft seal for high pressure washdown environments.
S	All stainless steel construction including input shaft, bearing housing and can assembly.
E	Stainless steel input shaft and corrosion resistant epoxy coating on all exposed metal.

Gear Multipliers		
1:2	1:5	1:9

Wiring		
GEMCO and GE Resolvers		
Pin	Rotor	Wire Color
A	R1	Red/White
B	R2	Yellow/White
C	S3	Black
D	S1	Red
E	S2	Yellow
F	S4	Blue
AMCI and Modicon Resolvers		
A	R2	Yellow/White
B	R1	Red/White
E	S4	Blue
C	S2	Yellow
F	S3	Black
G	S1	Red
Namco Resolvers		
A	R1	Red/White
B	R2	Yellow/White
C	S4	Blue
E	S2	Yellow
F	S1	Red
G	S3	Black
Reliance Resolvers		
A	R1	Red/White
B	R2	Yellow/White
F	S3	Black
D	S1	Red
G	S2	Yellow
E	S4	Blue



Single Resolver Gear Reducers			
1.5:1	15:1	50:1	180:1
2:1	16:1	54:1	200:1
3:1	17:1	58:1	210:1
4:1	18:1	60:1	225:1
4.75:1	19:1	64:1	250:1
5:1	19.5:1	65:1	270:1
6:1	20:1	70:1	310:1
6.15:1	21.66:1	73:1	350:1
7:1	23:1	75:1	360:1
7.5:1	24:1	80:1	400:1
7.625:1	25:1	90:1	500:1
8:1	30:1	91:1	520:1
9:1	31.25:1	100:1	1200:1
9.2:1	35:1	115:1	1500:1
9.5:1	38:1	120:1	2000:1
10:1	40:1	128:1	2150:1
12:1	42:1	150:1	2160:1
14:1	48:1	160:1	7760:1

